

MINOTI

IS : 5312



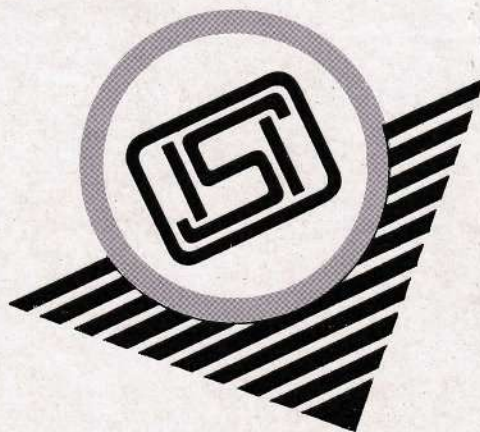
PART-I

REFLUX VALVE IS : 5312 (PART-I)



NONRETURN VALVE

MINOTI BRAND



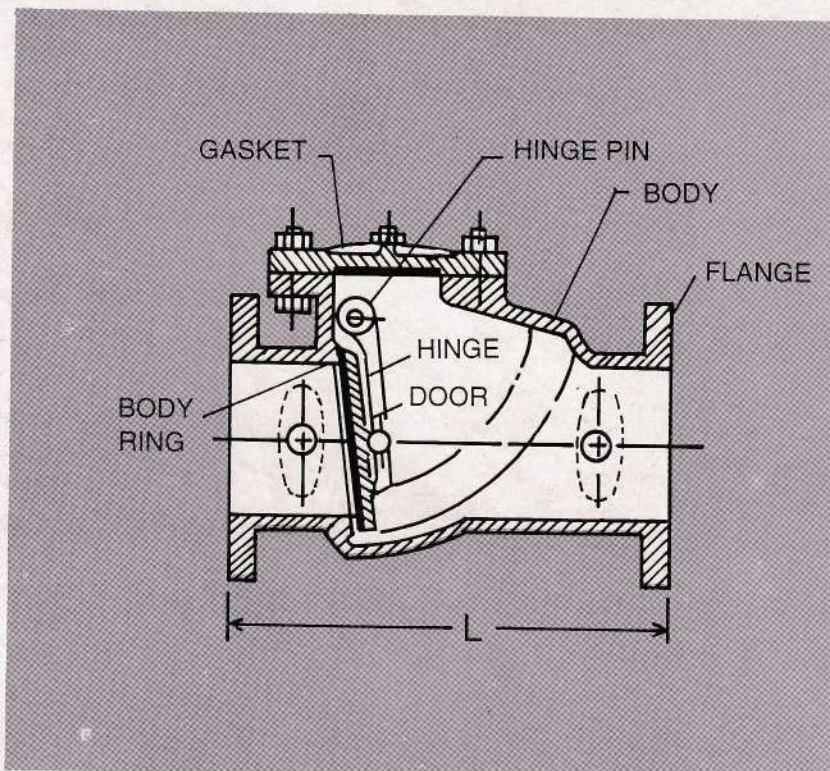
CAST IRON SWING CHECK TYPE REFLUX (NON RETURN) VALVES

IS: 5312 (PART-I)

'MINOTI' Cast Iron swing check type reflux (Non-Return) valves are manufactured strictly, as per Indian Standards Specification No.IS :5312(part-I) These valves are 'ISI' MARKED.

Application : Reflux valves are generally used to maintain flow of water in one direction only and check all return flow. These valves are operated by pressure alone and have no external means of control. The flow is controlled by means of a flap swing up and down with pressure on a seat. These valves are commonly used on water mains all over the country.

"Application in both Vertical and Horizontal Positions is permissible"; a separate by-pass arrangement can be provided on the valves on specific requests only.



Test Pressure

size in m. m.	Body (kg/cm ²)	Seat (kg/cm ²)	Working (kg/cm ²)
50 to 125	25	15	15
150 to 300	20	10	10
350 to 600	16	8	8

DIMENSIONS IN M. M.

SIZE in m. m	50	65	80	100	125	150	200	250	300
LENGTH	200	240	260	300	350	400	500	600	700
HINGE PIN DIAMETER	10	10	10	12	12	16	20	22	25



MINOTI ENGINEERING WORKS
32, BUXARAH ROAD, HOWRAH-711 306
WEST BENGAL, INDIA
Cable : MINOTICO' Santragachi
PHONE : Office 68-6054 Resi 68-5557